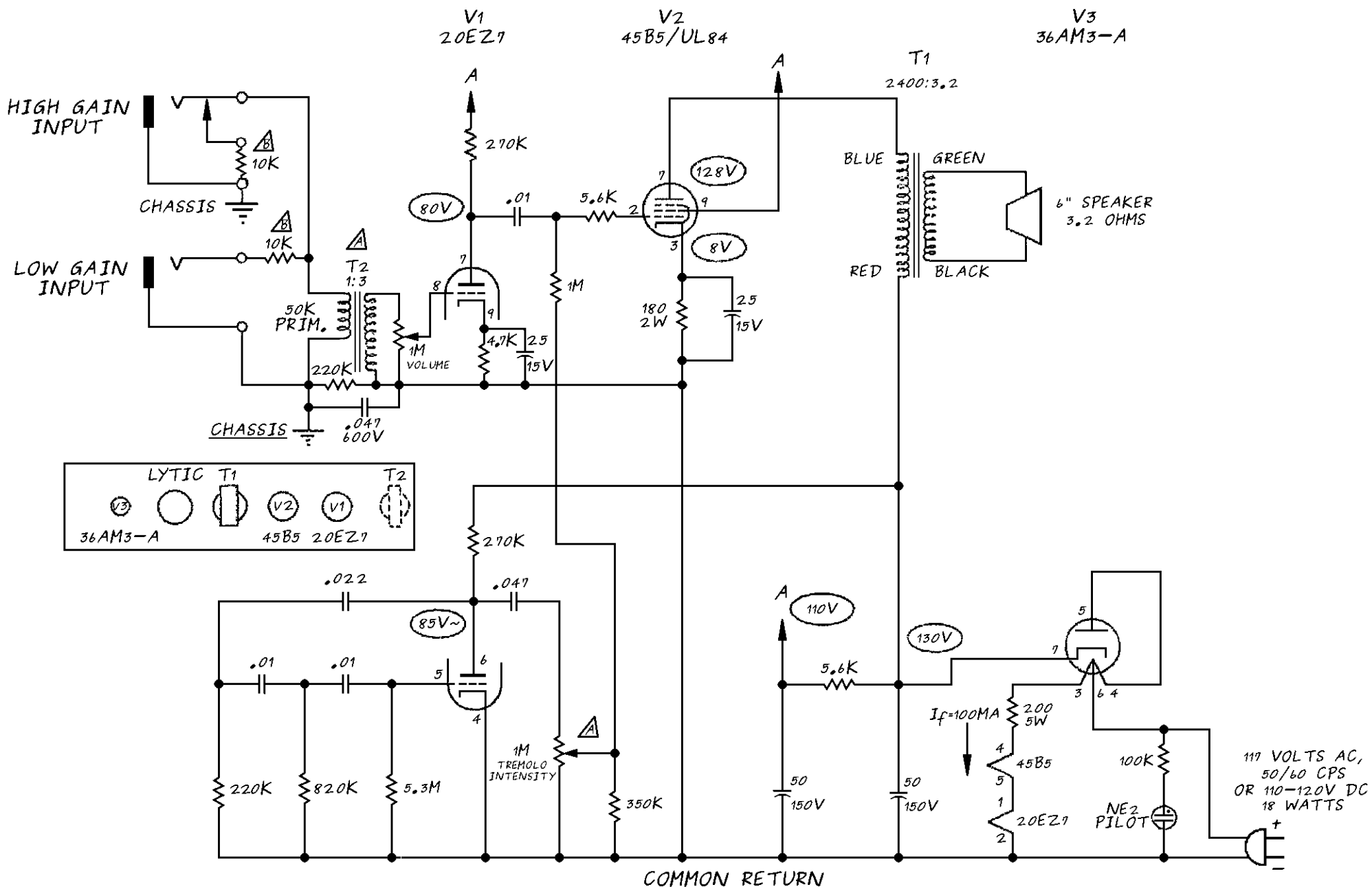


NOTE:
 VOLTAGES READ WITH VTVM FROM POINT
 INDICATED TO COMMON RETURN.



NOTE: VOLTAGES READ WITH VTVM FROM POINT INDICATED TO COMMON RETURN.